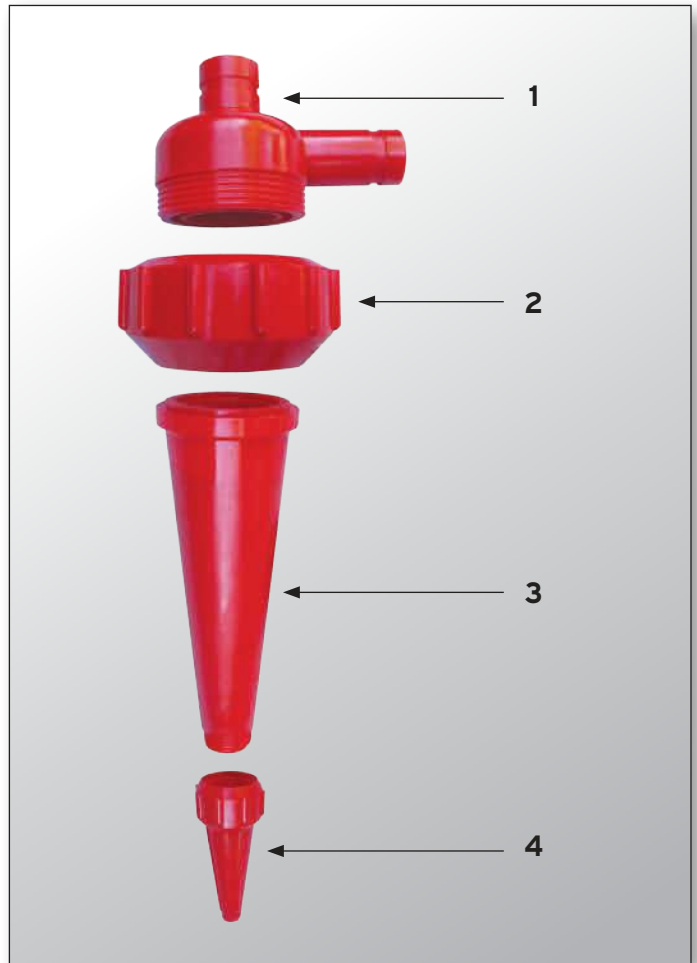
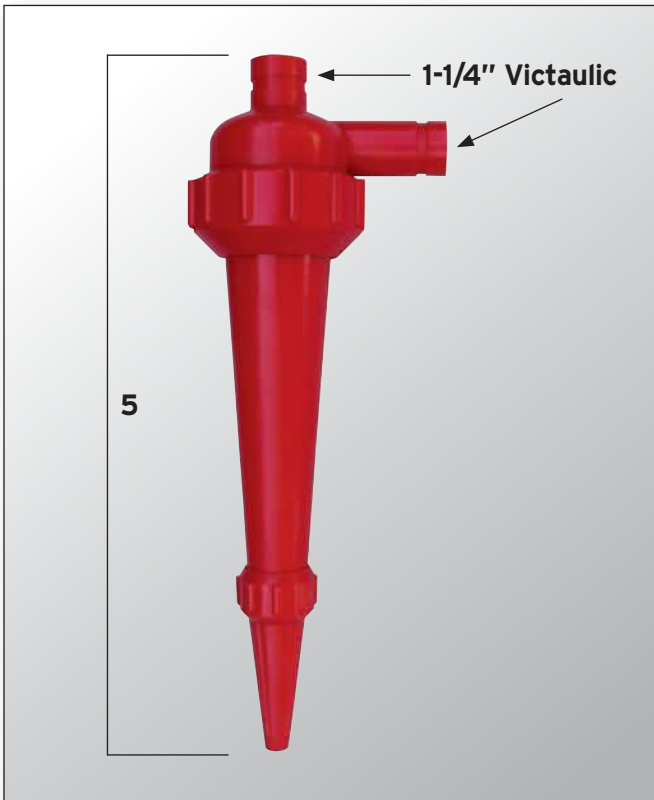


# 2 1/2" Hydrocyclone



Each 2 1/2" hydrocyclone handles 16 gallons per minute and can be expected to make a 5 micron and larger separation provided the correct of head is applied.

WT. PER COMPLETE UNIT LBS.	INSIDE DIAMETER INCHES
4	2.375"

*Recommended Feet Of Head - 75 Feet*

ITEM NO.	PART NO.	DESCRIPTION
1	48-1001	Inlet Section
2	48-1003	Urethane Body Nut
3	48-1018	Bottom Cone
4	48-1002	Apex Nut
5	48-0821	Complete Assembly

MANUFACTURED BY

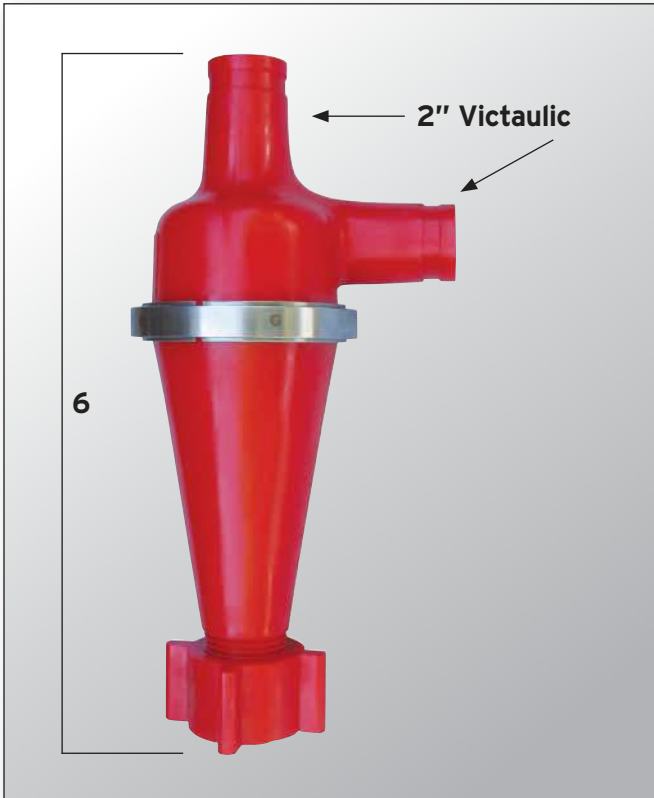


**Bailey-Parks Urethane**

*Solutions...Not Problems*

**1-800-238-7638**

# 4" Hydrocyclone



Each 4" hydrocyclone handles 50 gallons per minute and can be expected to make a 15 micron and larger separation provided the correct feet of head is applied.

WT. PER COMPLETE UNIT LBS.	INSIDE DIAMETER INCHES
9	4"

*Recommended Feet Of Head - 75 Feet*



ITEM NO.	PART NO.	DESCRIPTION
1	47-1007	Inlet Section
2	85-0778	4" SS Band
3	47-1008	Bottom Cone
4	47-0873	Apex Bushing
5	47-1009	Apex Nut
6	47-0822	Complete Assembly

MANUFACTURED BY

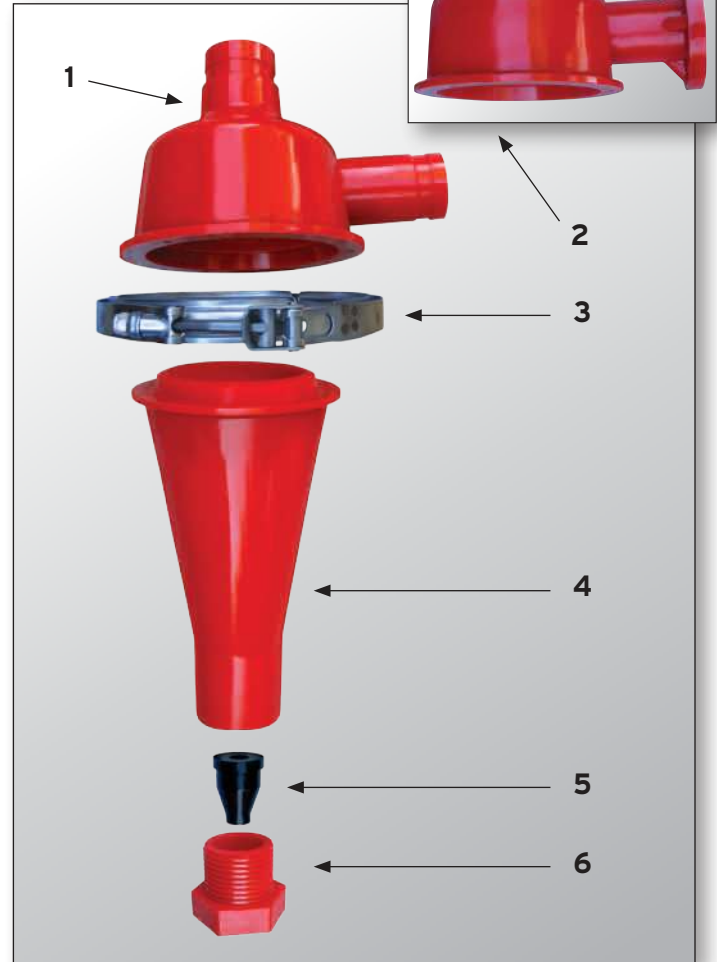
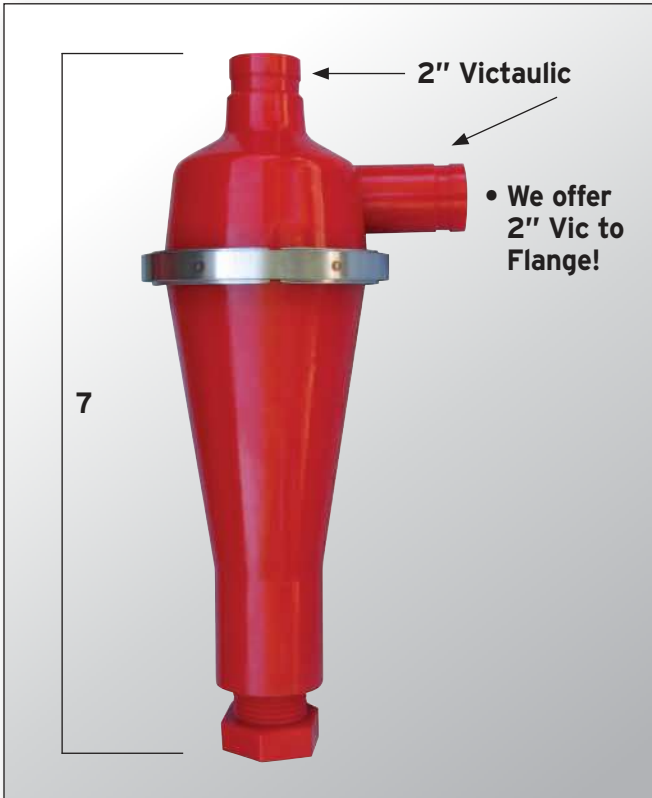


**Bailey-Parks Urethane**

*Solutions...Not Problems*

**1-800-238-7638**

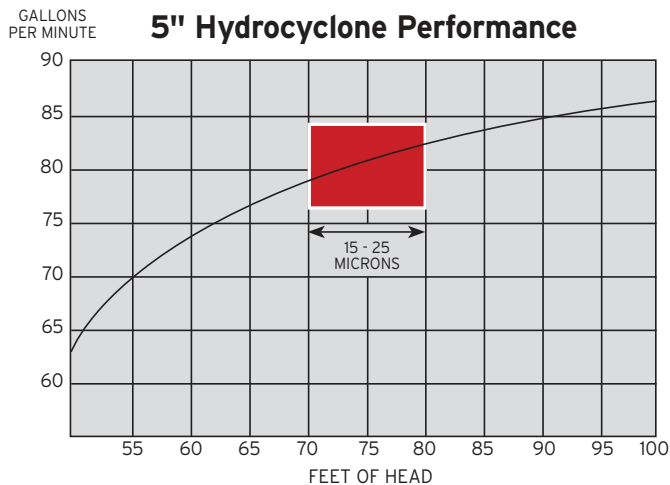
# 5" Hydrocyclone



Each 5" hydrocyclone handles 80 gallons per minute and can be expected to make a 15 micron and larger separation provided the correct feet of head is applied.

WT. PER COMPLETE UNIT LBS.	INSIDE DIAMETER INCHES
16	5"

ITEM NO.	PART NO.	DESCRIPTION
1	46-1010	2" Vic-Vic Inlet
2	46-0882	2" Vic-Flange Inlet
3	85-0779	5" SS Band
4	46-1011	Bottom Cone
5	46-0898	Apex Bushing
6	46-1012	Apex Nut
7	46-0823	Complete Assembly



MANUFACTURED BY

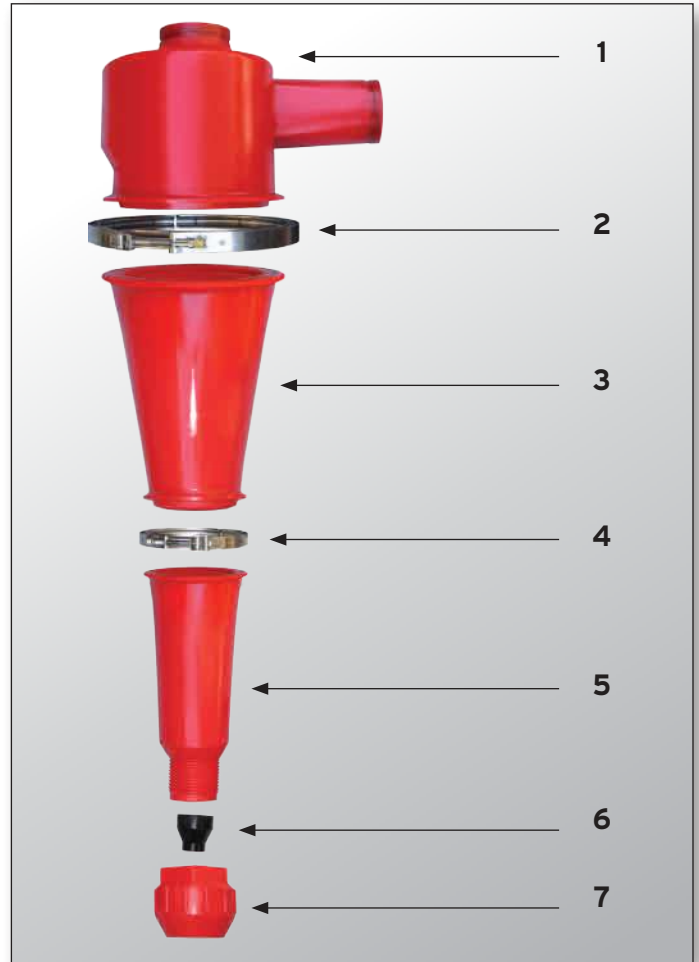
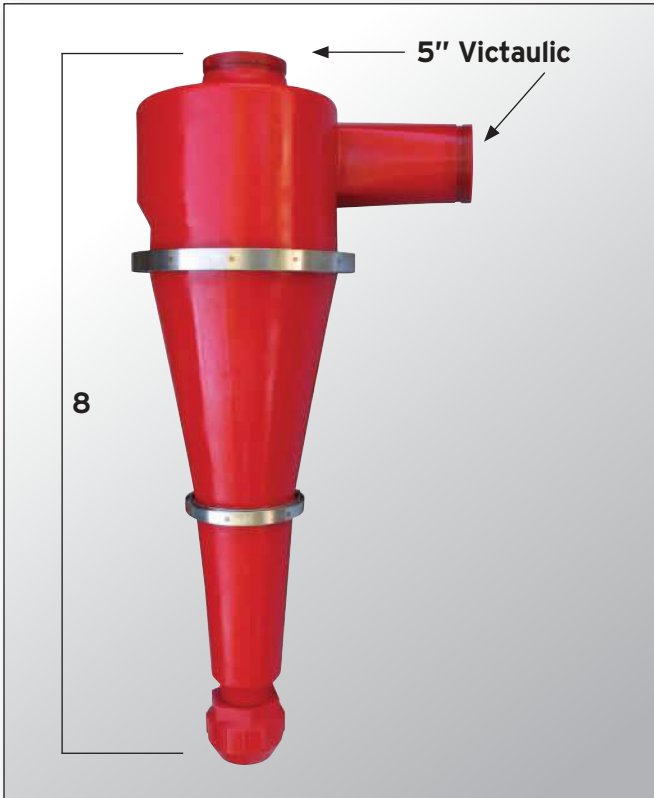


**Bailey-Parks Urethane**

*Solutions...Not Problems*

**1-800-238-7638**

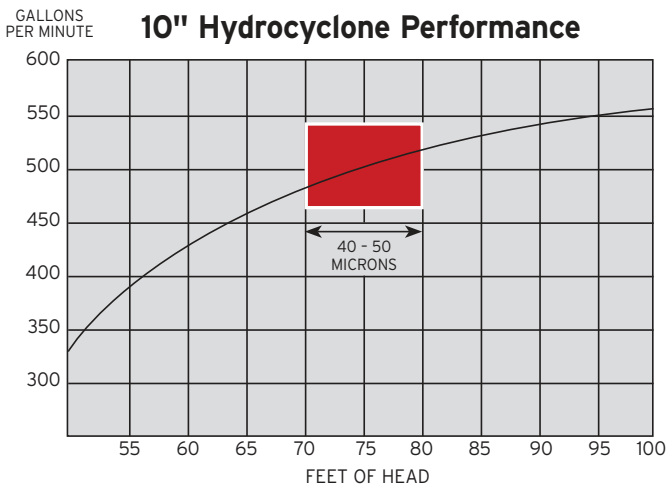
# 10" Hydrocyclone



Each 10" hydrocyclone processes 500 gallons per minute and makes a 40 micron and larger separation provided the correct feet of head is applied.

WT. PER COMPLETE UNIT LBS.	INSIDE DIAMETER INCHES	CAPACITY AT 75 FEET OF HEAD GPM
81	10 $\frac{1}{8}$ "	500

ITEM NO.	PART NO.	DESCRIPTION
1	45-1013	Inlet Section
2	85-0780	10" SS Upper Band
3	45-1015	Center Section
4	85-0779	5" SS Lower Band
5	45-1016	Lower Section
6	45-0903	Apex Bushing
7	45-1017	Apex Nut
8	45-0824	Complete Assembly



MANUFACTURED BY



**Bailey-Parks Urethane**

*Solutions...Not Problems*

**1-800-238-7638**